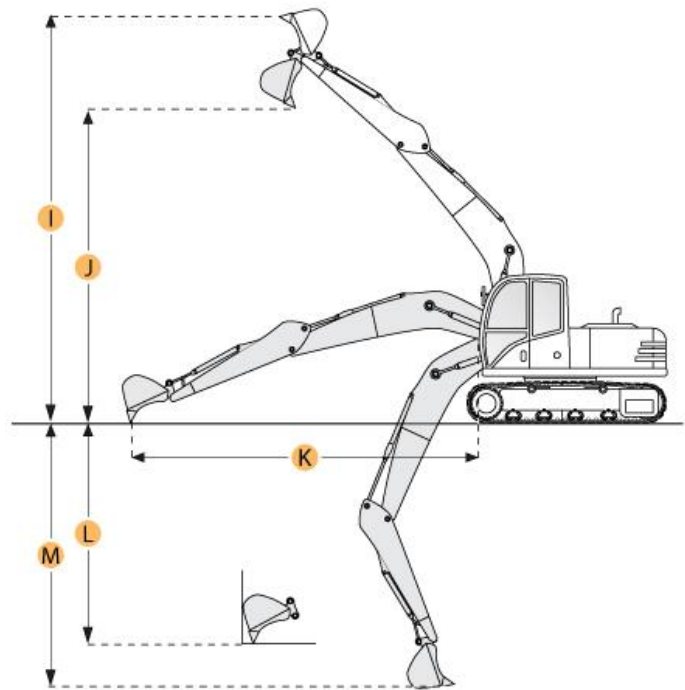


2002 KOMATSU PC 210-6 CIF MSA £31,450 [\$49,130]



2002 Komatsu PC210-6 | Excavator | | Excellent Overall Condition | 7925 Hrs Used | Tracked Excavator
. Ready for work. See detailed specifications below

MOTOBEX PLANT

Tel. +447960951953
+442088455819

www.motobex.co.uk

Specification

Engine

Make	Komatsu	
Model	S6D102E	
Gross Power	140 hp	104.4 kw
Net Power	133 hp	99.2 kw
Power Measured @	2000 rpm	
Displacement	358.8 cu in	5.9 L
Number of Cylinders	6	
Operational		
Operating Weight	45194.8 lb	20500 kg
Fuel Capacity	89.8 gal	340 L
Cooling System Fluid Capacity	5.9 gal	22.2 L
Hydraulic System Fluid Capacity	43.9 gal	166 L
Engine Oil Capacity	6.3 gal	24 L
Swing Drive Fluid Capacity	1.5 gal	5.5 L
Operating Voltage	24 V	
Alternator Supplied Amperage	55 amps	
Hydraulic Pump Flow Capacity	108.8 gal/min	412 L/min
Swing Mechanism		
Swing Speed	12.4 rpm	
Undercarriage		
Number of Shoes per Side	449	
Shoe Size	23.6 in	600 mm
Number of Carrier Rollers per Side	2	
Number of Track Rollers per Side	9	
Ground Pressure	6.7 psi	46.2 kPa
Max Travel Speed	3.4 mph	5.5 km/h
Drawbar Pull	39022 lb	173.6 kN
Track Gauge	7.2 ft in	2180 mm
Buckets		
Reference Bucket Capacity	1.2 yd ³	0.9 m ³
Minimum Bucket Capacity	0.59 yd ³	0.45 m ³
Maximum Bucket Capacity	1.6 yd ³	1.2 m ³
Boom/Stick Option (HEX) 1		
Boom/Stick Option (HEX) 1	Monoboomb w/ stick 1800mm	
Shipping Height of Unit	9.5 ft in	2905 mm
Shipping Length of Unit	30.9 ft in	9415 mm
Max Digging Depth	18.2 ft in	5535 mm
Max Reach Along Ground	28.6 ft in	8720 mm
Max Cutting Height	29.2 ft in	8895 mm
Max Loading Height	19.9 ft in	6065 mm
Max Vertical Wall Digging Depth	16.3 ft in	4965 mm
Boom/Stick Option (HEX) 2		

Boom/Stick Option (HEX) 2	Monoboom w/ stick 2400mm	
Shipping Height of Unit	10.3 ft in	3130 mm
Shipping Length of Unit	31.1 ft in	9480 mm
Max Digging Depth	20 ft in	6095 mm
Max Reach Along Ground	30.2 ft in	9205 mm
Max Cutting Height	29.7 ft in	9050 mm
Max Loading Height	20.5 ft in	6255 mm
Max Vertical Wall Digging Depth	17.4 ft in	5315 mm
Boom/Stick Option (HEX) 3	Monoboom w/ stick 2930mm	
Shipping Height of Unit	9.7 ft in	2970 mm
Shipping Length of Unit	30.9 ft in	9425 mm
Max Digging Depth	21.7 ft in	6620 mm
Max Reach Along Ground	31.8 ft in	9700 mm
Max Cutting Height	30.5 ft in	9305 mm
Max Loading Height	21.2 ft in	6475 mm
Max Vertical Wall Digging Depth	19.6 ft in	5980 mm
Dimensions		
Width to Outside of Tracks	9.1 ft in	2780 mm
Height to Top of Cab	9.5 ft in	2905 mm
Ground Clearance	1.4 ft in	440 mm
Counterweight Clearance	3.5 ft in	1070 mm
Tail Swing Radius	9.1 ft in	2760 mm
Length of Track on Ground	10.7 ft in	3260 mm